

December 1999

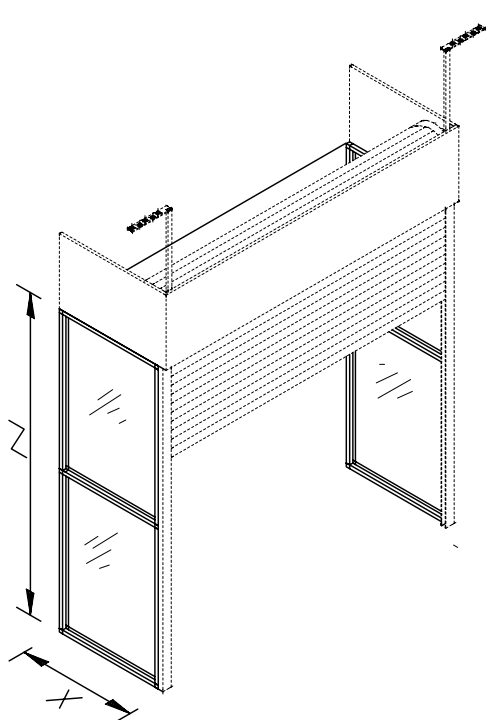
Index for chapter 11.

- | | |
|---|--------------------|
| <input type="checkbox"/> Pic'n mix display | Page 11.1 – 11.2 |
| <input type="checkbox"/> Center Unit | Page 11.2 |
| <input type="checkbox"/> Fruit and vegetable unit | Page 11.3 |
| <input type="checkbox"/> Dumper Hexagonal and accessories | Page 11.3 |
| <input type="checkbox"/> Floor displays – 3-way gondola and triangular gondola with lighthbox | Page 11.4 – 11.5 |
| <input type="checkbox"/> 4-Way gondola | Page 11.6 |
| <input type="checkbox"/> Burglar-proof cigarette cupboard and wine compartment | Page 11.7 – 11.8 |
| <input type="checkbox"/> Coffee tables | Page 11.9 – 11.10 |
| <input type="checkbox"/> Wine racks and accessories | Page 11.11 – 11.13 |
| <input type="checkbox"/> Shop News | |

December 1999

Dim.

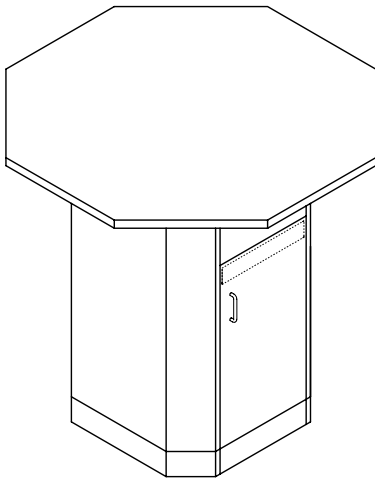
Item no.

		Dim.	Item no.
	End wall for wine compartment aluminium frame with glass	X x Z 80 x 215	11705

July 1999

Dim.

Item no.



Octagonal coffee table complete with built-in waste bag and 1 hatch

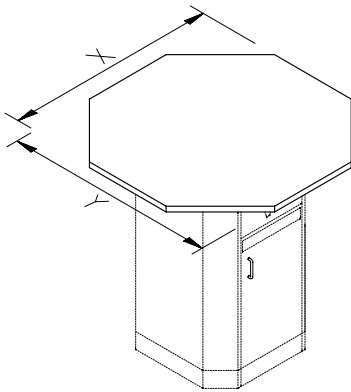
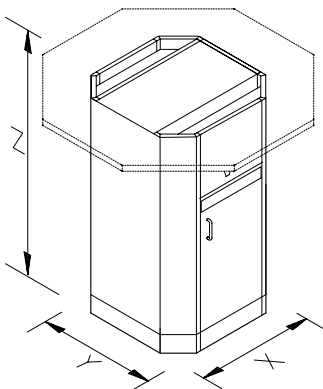


Plate for octagonal coffee table

X x Y
90 x 90
120 x 120

76900
76901

Available in standard laminate colours



Base for octagonal coffee table (Timber)

X x Y x Z
60x60x106,8

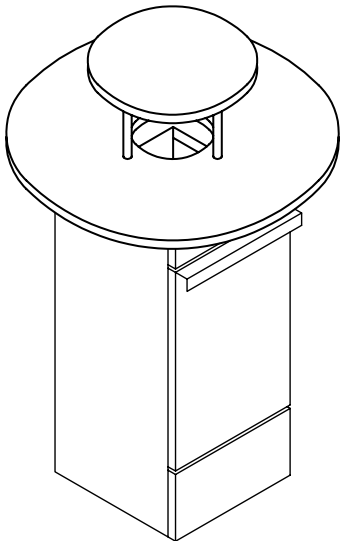
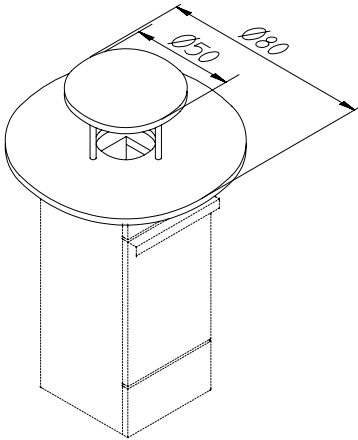
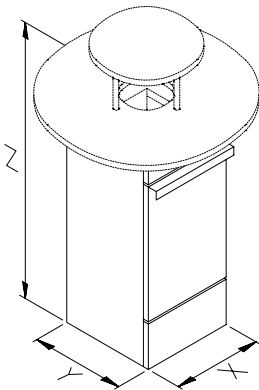
76906

Available in standard laminate colours

July 1999

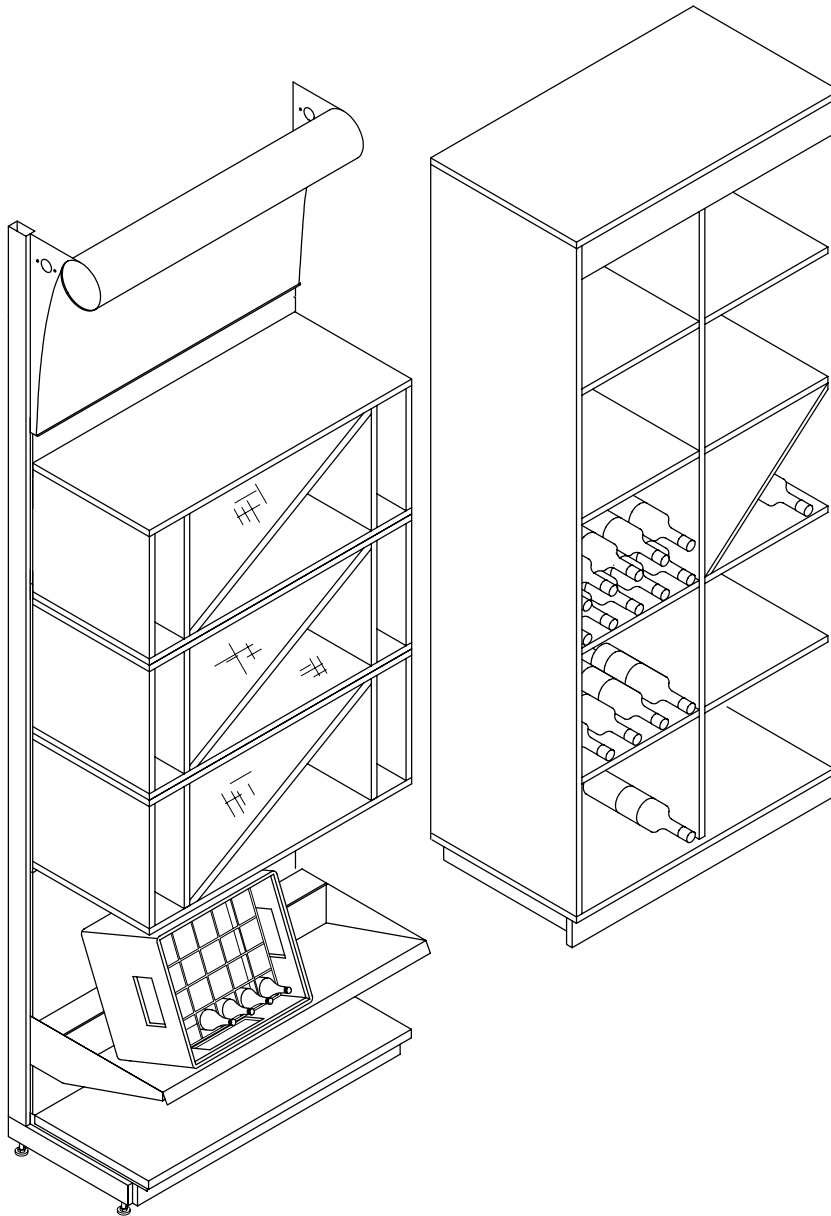
Dim.

Item no.

	<p>Coffee table circular model complete with built-in waste bag</p>		
	<p>Plate for coffee table</p> <p>Available in standard laminate colours</p>	<p>Ø50+Ø80</p>	<p>7642</p>
	<p>Base for coffee table (Steel)</p>	<p>X x Y x Z</p> <p>39x41x102,5</p>	<p>7641</p>

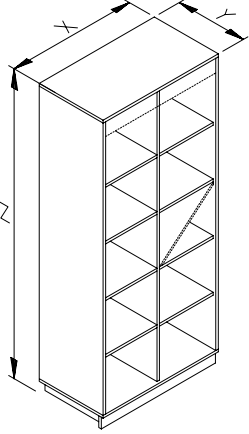
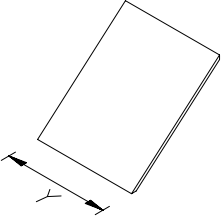
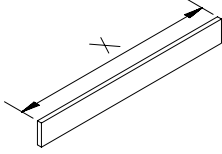
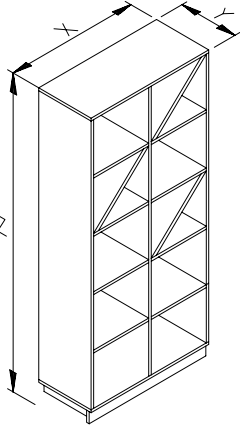
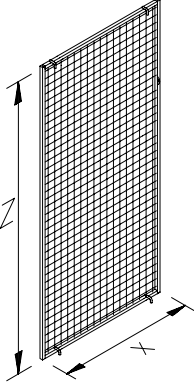
July 1999

ILLUSTRATION

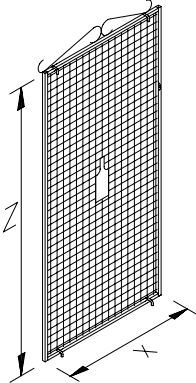
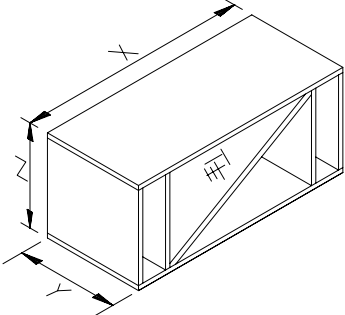
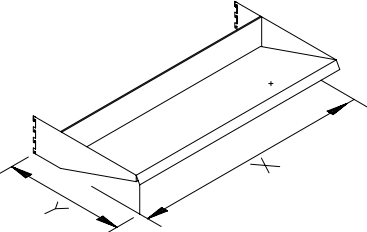
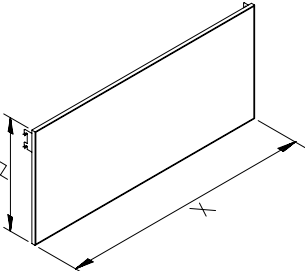


Example of wine racks

July 1999

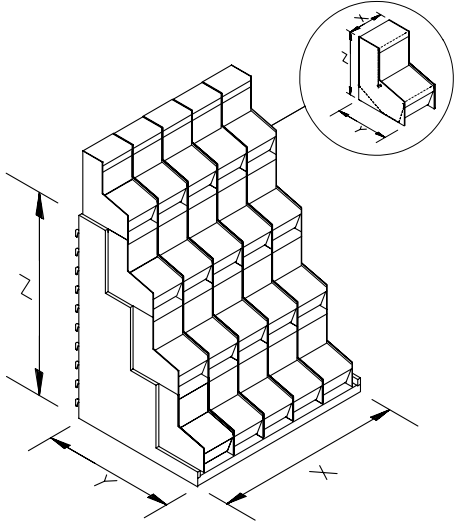
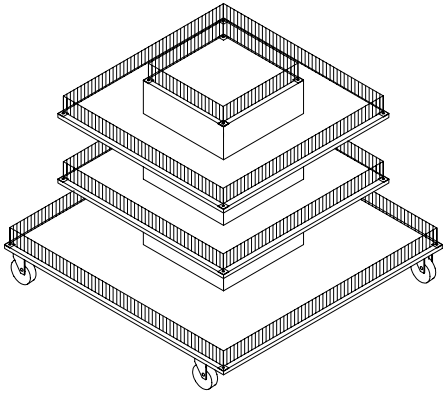
		Dim. X x Z x Y	Item no.
	<p>Wine rack for 50 cm foot</p> <p>Canopy and dividers to be ordered separately</p> <p>Available in standard MFC colours</p>	<p>90x202x50</p>	<p>7155</p>
	<p>Divider for wine rack (only for 50 cm foot)</p>	<p>Y 50</p>	<p>7156</p>
	<p>Canopy for wine rack</p>	<p>X 90</p>	<p>7157</p>
	<p>Wine rack for 40 cm foot</p> <p>Including 3 pcs. of dividers</p> <p>Available i standard MFC colours</p>	<p>X x Z x Y 90x202x40</p>	<p>7152</p>
	<p>Screen with lock for winecase</p>	<p>X x Z 90 x 202</p>	<p>7153</p>

July 1999

		Dim.	Item no.
	<p>Screen with lock and motif for winecase</p>	<p>X x Z 90 x 202</p>	<p>7154</p>
	<p>Winerack with mirror and fittings</p> <p>Available in standard MFC colours</p>	<p>X x Z x Y 90 x 40 x 50</p>	<p>7150</p>
	<p>Beer-/soda shelf</p>	<p>X x Y 90 x 40</p>	<p>4797</p>
	<p>Telephone notice board</p>	<p>X x Z 60 x 40 90 x 40</p>	<p>7677 7675</p>

	<p>Pic'n mix display</p> <p>2 pcs. Bracing bar with adjusting screws</p> <p>1 pcs. Bag holder</p> <p>2 pcs. L-upright single with keyhole and holeplug</p> <p>1 pcs. Signholder for sweet unit</p> <p>1 pcs. Roof gutter with fitting for sweet unit</p> <p>5 pcs. System bracket for wooden shelf – LH</p> <p>5 pcs. System bracket for wooden shelf – RH</p> <p>5 pcs. Sweet shelf with acrylic and mirror</p>	<p>87</p> <p>171,6 x 30</p> <p>90</p> <p>90</p> <p>30</p> <p>30</p> <p>90 x 36</p>	<p>13814</p> <p>14366</p> <p>18047</p> <p>34955</p> <p>34951</p> <p>56028</p> <p>56029</p> <p>76991</p>
	<p>Pic'n mix display with beech edging for 15 pcs. acrylic sweet dispensers.</p> <p>Acrylic sweet dispenser</p>	<p>X x Y x Z</p> <p>90 x 82x66,6</p> <p>17 x 25 x 30</p>	<p>4101</p> <p>4820</p>

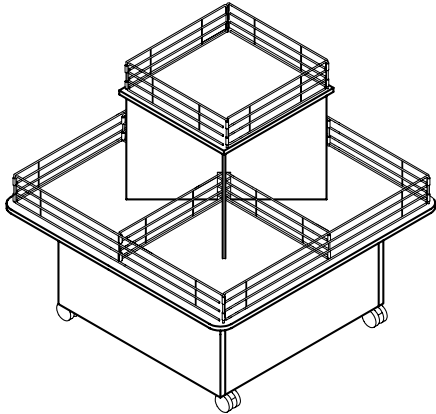
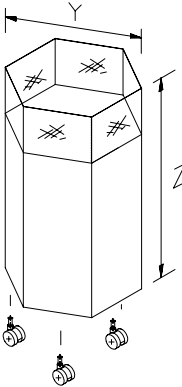
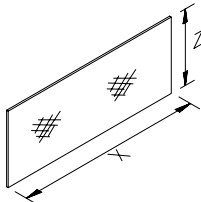
September 2003

		Dim. X x Y x Z	Item no.
	<p>Pic'n mix display with beech edging for 20 pcs. acrylic sweet dispensers</p> <p>Acrylic sweet dispenser</p>	<p>90x102x96,6</p> <p>17 x 25 x 30</p>	<p>4100</p> <p>4820</p>
	<p>Center Unit Type 2 with castors</p> <p>Consisting of:</p> <p>1 Pcs. Center Unit</p> <p>1 Set Wiregrid</p> <p>2 Set Wiregrid</p> <p>1 Set Wiregrid</p>	<p>X x Y</p> <p>123 x 123</p> <p>45 x 45</p> <p>60 x 60</p> <p>90 x 90</p>	<p>8660</p> <p>8094</p> <p>8098</p> <p>8096</p>

July 1999

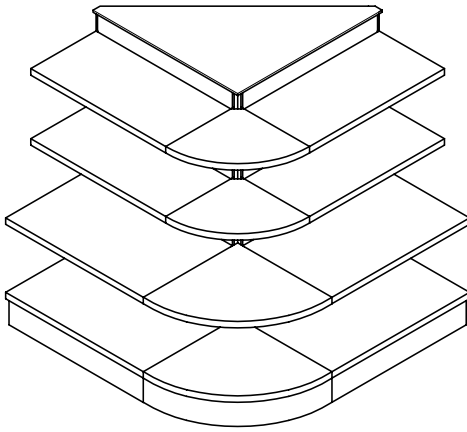
Dim.

Item no.

	<p>Podium with grate and sales table with mirrors</p> <p>Consisting of:</p> <ul style="list-style-type: none"> 1 pcs. Podium beech incl.castors 4 pcs. Wire edges for base unit 1 pcs. Wire cross for base unit 1 pcs. Mirror base for podium 4 pcs. Wire edges for mirror base 	<p>90 x 90 x 40</p> <p>90 x 10</p> <p>90 x 90</p> <p>45 x 45</p> <p>45 x 10</p>	<p>8671</p> <p>8088</p> <p>8676</p> <p>8675</p> <p>8089</p>
	<p>Dumper Hexagonal including 3 castors</p> <p>Low</p> <p>High</p>	<p>Z x Y</p> <p>72 x 50</p> <p>87 x 50</p>	<p>8322</p> <p>8323</p>
	<p>Divider for dumper acrylic 5 mm</p>	<p>X x Z</p> <p>49,3 x 20</p>	<p>8330</p>

July 1999

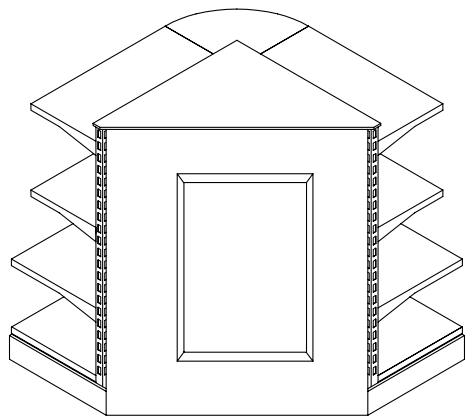
		Dim.	Item no.
	3-way gondola w/display	X x Y x Z 90 x 90 x 90	
	Consisting of:		
	3 pcs. Fittings f/upright profile 60°		13600
	3 pcs. Upright profile 60°	91,3	13611
	3 pcs. Twin castors		13932
	6 pcs. Back panel	90 x 45	23091
	6 pcs. Wire shelf	90 x 30 x 5	30023
	3 pcs. Wire shelf	90 x 40 x 5	30025
	6 pcs. Wire shelf f/corner 120°	30 x 5	30303
	3 pcs. Wire shelf f/corner 120°	40 x 5	30305
	18 pcs. Epos-Ticket rail f/wire	88,3 x 3,9	38152
	24 pcs. System bracket	30	50002
	12 pcs. System bracket	40	50004
	1 pcs. Top plate for 3-way gondola promotion adjustable	90 x 90 x 90	73588
		3-way gondola with perforated shelves and topplate	X x Y x Z 60 x 60 x 60
Consisting of:			
6 pcs. Perforated shelf for 120° external		30	4630
6 pcs. Perforated shelf for 120° external		40	4631
6 pcs. Perforated shelf		60 x 30	4638
6 pcs. Perforated shelf		60 x 40	4640
3 pcs. Fitting for upright profile 60°			13600
3 pcs. Upright profile 60°		122,8	13626
3 pcs. Twin castor with bolt			13932
3 pcs. Back panel		60 x 9	23065
3 pcs. Back panel		60 x 22,5	23068
6 pcs. Back panel		60 x 45	23071
12 pcs. System bracket		30	50002
12 pcs. System bracket		40	50004
12 pcs. System bracket – cut		30	50502
12 pcs. System bracket – cut	40	50504	
1 pcs. Topplate for 3-way gondola	60 x 60 x 60	73580	



Angular gondola with top plate

Consisting of:

2 pcs.	L-upright Single 3x3 cm	90,6/40	19012
1 pcs.	V-Upright 3x3 cm	90,6/40	19112
8 pcs.	Fastlock		10700
4 pcs.	C-profile	60	10710
2 pcs.	Distance element	60	13561
7 pcs.	Twin castors with bolt		13932
4 pcs.	Back panel	60 x 45	23071
1 pcs.	Panel w/ hole 52,5x72,5	88 x 95,5	29310
4 pcs.	NG-shelf	60 x 30	40002
4 pcs.	NG-shelf	60 x 40	40004
2 pcs.	NG-shelf	1/4 x 30	40082
2 pcs.	NG-shelf	1/4 x 40	40084
8 pcs.	System bracket	30	50002
4 pcs.	System bracket	40	50004
6 pcs.	System bracket base low	40	50011
4 pcs.	System bracket cut	30	50502
2 pcs.	System bracket cut	40	50504
1 pcs.	Plinth 1/4 circle (40)	9	73026
2 pcs.	Back panel	60 x 9	23065
1 pcs.	Plinth end trim LH	40 x 9	73016
1 pcs.	Plinth end trim RH	40 x 9	73017
1 pcs.	Triangle top cover	60 x 60 x 90	73571



Angular gondola with top plate – prepared for lightbox seen from behind

1 pcs.	Lightbox	52,55 x 72,5	61131
3 pcs.	Fluorescent tubes		3171

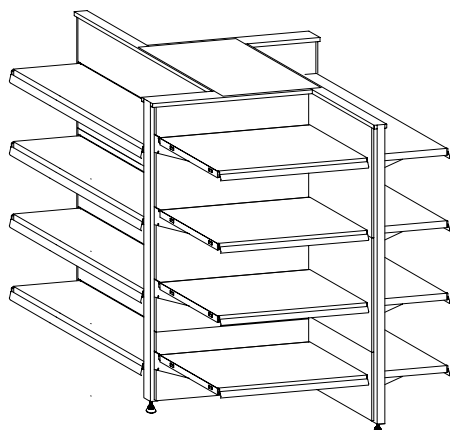
(Lightbox – see chapter 13 page 5 – lighting)

Angular gondola also available without lightbox – then order 1 pcs. back panel 88x95,5 cm item no. 29309 instead of item no. 29310.

September 2000

Dim.

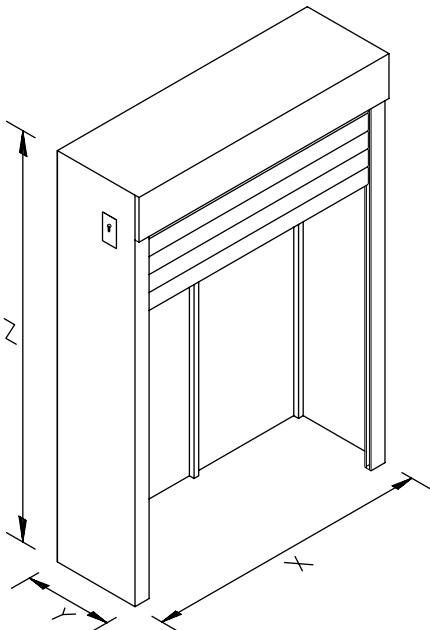
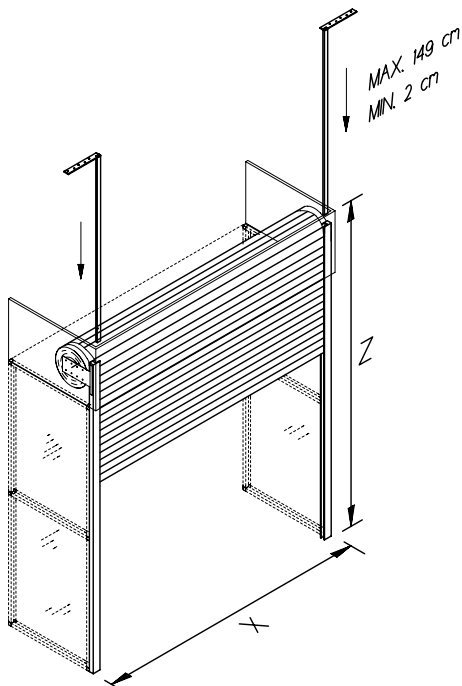
Item no.



4-way gondola

Consisting of:

1 pcs. Gondola top cover plate	38,5 x 38,5	73706
4 pcs. Gondola top cover	63 x 5	73600
4 pcs. Gondola frame 3x3 cm with adjusting screw and holeplug	60 x 117,5	13949
8 pcs. Fitting for gondola frame 3x3 cm		13970
16 pcs. Back panel	60 x 45	23071
8 pcs. Back panel	60 x 27	23069
32 pcs. Systembracket 2 hooks adj.	30	50002
16 pcs. HDS-shelf	60 x 30	66102

		Dim.	Item no.
	<p>Burglar-proof cigarette cupboard TP.- 93,5 for one 90 module</p> <p>Burglar-proof cigarette cupboard TP.- 153,5 for one 60 module and one 90 module</p> <p>Burglar-proof cigarette cupboard TP.- 183,5 for two 90 modules</p> <p>Burglar-proof cigarette cupboard TP.- 243,5 for two 90 modules and one 60 module</p> <p>Burglar-proof cigarette cupboard TP.- 273,5 for three 90 modules</p> <p>With alu roller shutter</p> <p>Our standard shelves and cupboards can be used – Please order this separately</p> <p>Approved by Skafor in Denmark highest classification</p>	<p>X x Y x Z</p> <p>94x48x238</p> <p>154x48x238</p> <p>184x48x238</p> <p>244x48x238</p> <p>274x48x238</p>	<p>11730</p> <p>11731</p> <p>11732</p> <p>11733</p> <p>11734</p>
	<p>Wine compartment with roller shutter Type 225</p> <p>Please note. 2 pcs. End walls for wine compartment to be ordered separately. It is possible to replace glass end walls with MFC end walls</p>	<p>X x Z</p> <p>250 x 225</p>	<p>11700</p>