

**Index for chapter 7.**

- Principle and measures of back panels, slat panels and pegboards Page 7.1
- Pegboards Page 7.2 – 7.3
- Back panels Page 7.4 – 7.6
- Back panel – timber Page 7.7
- Slat panels Page 7.8 – 7.9
- Accessories Page 7.10
- Shop News

September 2000

		Dim.	Item no.
	Back panel	X x Z	
		60 x 9,0	23065
		60 x 13,5	23066
		60 x 18,0	23067
		60 x 22,5	23068
		60 x 27,0	23069
		60 x 31,5	23070
		60 x 45,0	23071
		90 x 9,0	23085
		90 x 13,5	23086
		90 x 18,0	23087
		90 x 22,5	23088
		90 x 27,0	23089
		90 x 31,5	23090
		90 x 45,0	23091
120 x 9,0	29115		
120 x 13,5	29116		
120 x 18,0	29117		
120 x 22,5	29118		
120 x 27,0	29119		
120 x 31,5	29120		
120 x 45,0	29121		
	Connection fitting for back panel  For adjusting back panels and pegboards	Z	
		45	23357
	Back panel internal corner for the construction of counters	X x Z	
		60 x 18,0	23257
		60 x 22,5	23258
		60 x 31,5	23260
		60 x 45,0	23261

December 1999

		Dim.	Item no.
	Back panel 45° internal corner	X x Z	
		90 x 13,5	23236
		90 x 18,0	23237
		90 x 22,5	23238
		90 x 27,0	23239
		90 x 31,5	23240
		90 x 45,0	23241
	Back panel 90° internal corner	X x Z	
	LH	70 x 18,0	23150
	RH	70 x 18,0	23151
	LH	70 x 22,5	23152
	RH	70 x 22,5	23153
	LH	70 x 27,0	23154
	RH	70 x 27,0	23155
	LH	70 x 31,5	23156
	RH	70 x 31,5	23157
	LH	70 x 45,0	23158
	RH	70 x 45,0	23159
	Back panel 90° external corner	X x Z	
		17 x 18,0	23177
		17 x 22,5	23178
		17 x 27,0	23179
		17 x 31,5	23180
		17 x 45,0	23181

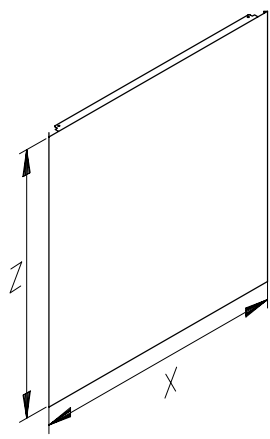
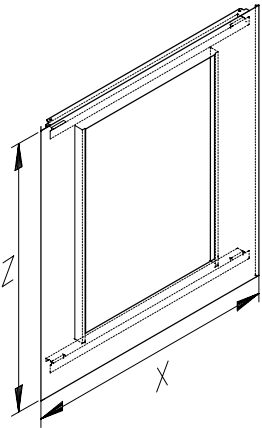
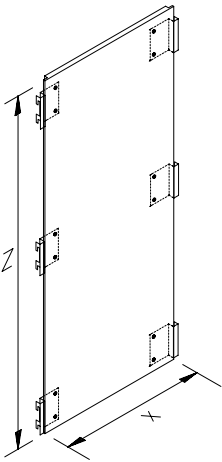
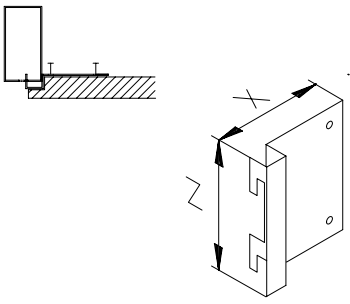


July 1999

Dim.

Item no.

		Dim.	Item no.
	<p>Back panel R90 internal corner</p>	<p>Z</p> <p>1/8 x 9,0 1/8 x 18,0 1/8 x 27,0 1/8 x 31,5 1/8 x 45,0</p>	<p>23215 23217 23219 23220 23221</p>
	<p>Back panel R60 internal corner</p>	<p>Z</p> <p>1/8 x 9,0 1/8 x 22,5 1/8 x 45,0</p>	<p>20100 20102 20106</p>
	<p>Back panel R90 external corner</p>	<p>Z</p> <p>1/8 x 9,0 1/8 x 18,0 1/8 x 22,5 1/8 x 27,0 1/8 x 31,5 1/8 x 45,0</p>	<p>23205 23207 23208 23209 23210 23211</p>
	<p>Back panel R60 external corner</p>	<p>Z</p> <p>1/8 x 9,0 1/8 x 18,0 1/8 x 22,5 1/8 x 45,0</p>	<p>20110 20111 20112 20116</p>

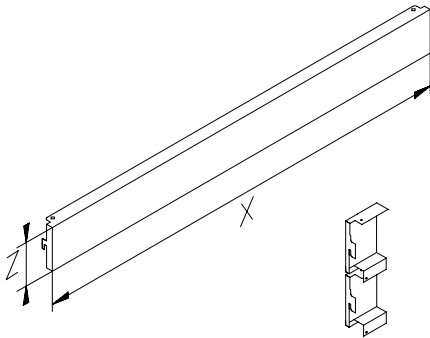
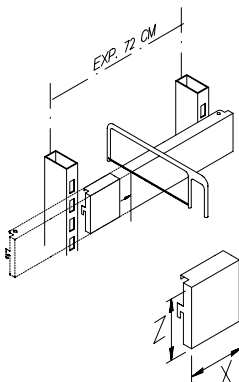
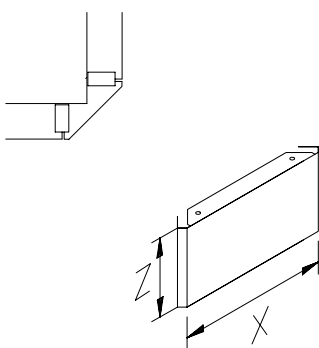
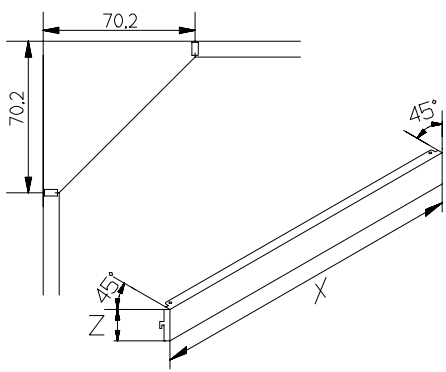
		Dim.	Item no.
	<p>Back panel</p> <p>Only to be used for angular gondola without lightbox</p>	<p>X x Z</p> <p>88 x 95,5</p>	<p>29309</p>
	<p>Back panel with hole 52,5x72,5 cm for lightbox</p> <p>Only to be used for angular gondola with lightbox</p>	<p>X x Z</p> <p>88 x 95,5</p>	<p>29310</p>
	<p>Backpanel timber with cut-out and 6 pcs. fittings</p> <p>Fittings to be fixed on site</p> <p>Applicable on requested cover of the upright</p> <p>Available in standard MFC colours</p>	<p>X x Z</p> <p>59 x 140</p> <p>89 x 140</p> <p>59 x 190</p> <p>89 x 190</p> <p>60 x 190</p> <p>90 x 190</p>	<p>7116</p> <p>7117</p> <p>7118</p> <p>7119</p> <p>7120</p> <p>7121</p>
	<p>Fitting for backpanel timber RH LH</p>	<p>X x Z</p> <p>7,6 x 6,5</p> <p>7,6 x 6,5</p>	<p>23832</p> <p>23833</p>



July 1999

Dim.

Item no.

		Dim.	Item no.
	Slat panel	X x Z 60 x 9 90 x 9 120 x 9	25000 25001 25003
	Slat panel end with hooks  (For the fitting of slat panels in various sizes)	X x Z 8 x 9	25100
	Slat panel 90° external corner	X x Z 17 x 9	25015
	Slat panel 45° internal corner	X x Z 90 x 9	25010



July 1999

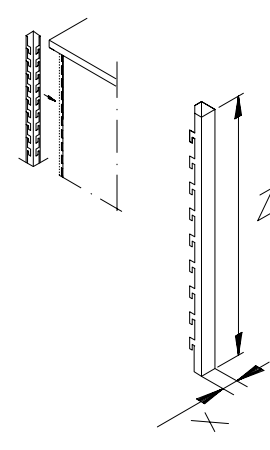
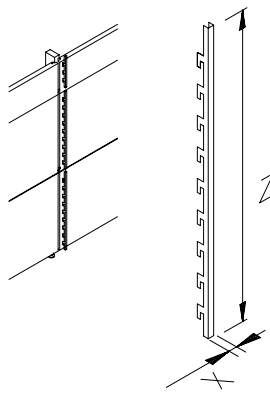
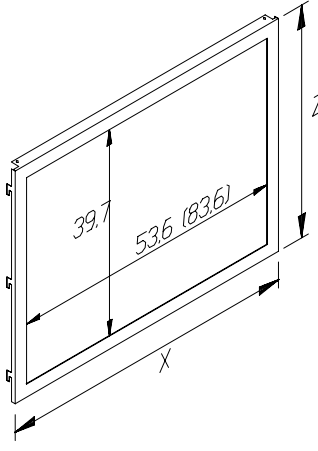
Dim.

Item no.

	<p>Slat panel R90 internal corner</p>	<p>Z 1/8 x 9</p>	<p>25023</p>
	<p>Slat panel R60 internal corner</p>	<p>Z 1/8 x 9</p>	<p>25021</p>
	<p>Slat panel R90 external corner</p>	<p>Z 1/8 x 9</p>	<p>25024</p>
	<p>Slat panel R60 external corner</p>	<p>Z 1/8 x 9</p>	<p>25022</p>

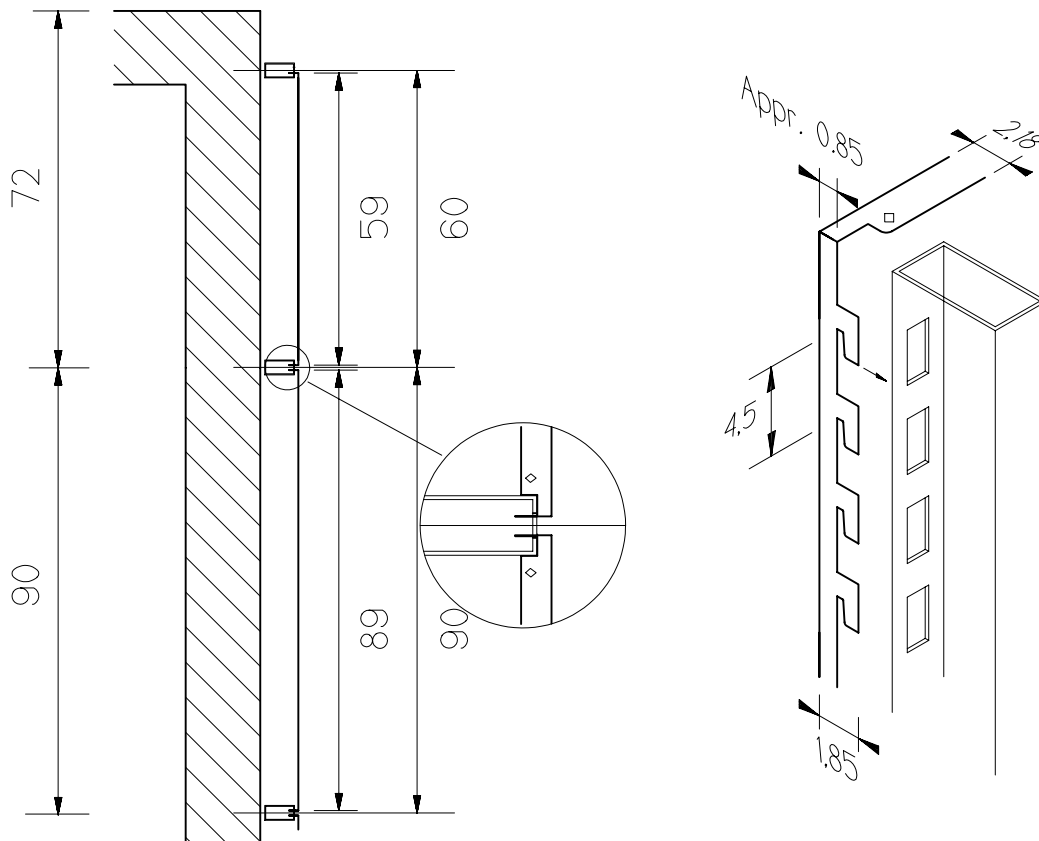


July 1999

		Dim.	Item no.
	Corner cladding 90° for 4D-Upright	X x Z 2,8 x 13,5 2,8 x 18,0 2,8 x 22,5 2,8 x 27,0 2,8 x 31,5 2,8 x 45,0	23379 23369 23375 23373 23377 23371
	Back panel strip	X x Z 1 x 18,0 1 x 22,5 1 x 27,0 1 x 31,5 1 x 45,0	23368 23374 23372 23376 23370
	Back-panel with cutting out	X x Z 60 x 45 90 x 45	29085 29086



July 1999

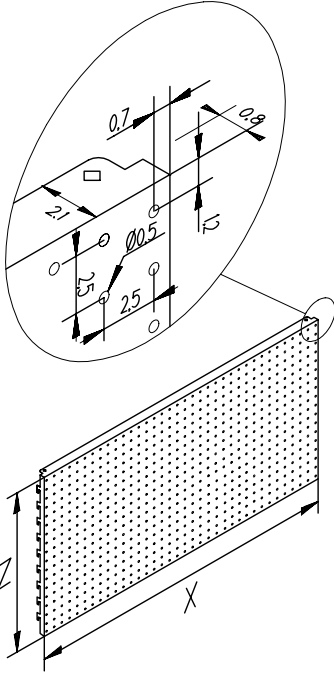
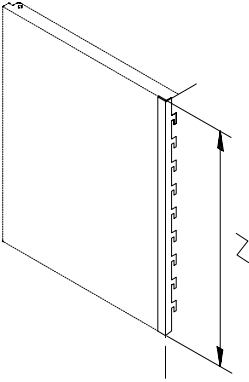
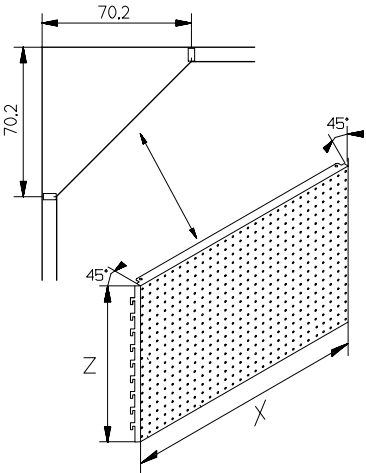
**ILLUSTRATION****Principle and measurements of back panels, slat panels and pegboards.**



September 2000

Dim.

Item no.

		Dim.	Item no.
	Pegboard/Back panel	X x Z  60 x 22,5 60 x 27,0 60 x 31,5 60 x 45,0  90 x 22,5 90 x 27,0 90 x 31,5 90 x 45,5  120 x 22,5 120 x 45,0	23468 23469 23470 23471  23488 23489 23490 23491  29518 29521
	Connection fitting for back panel  For adjusting back panels and pegboards	Z  45	23357
	Pegboard 45° internal corner	X x Z  90 x 45	23641

December 1999

		Dim.	Item no.
	<p>Pegboard 90° internal corner</p> <p>LH RH</p>	<p>X x Z</p> <p>70 x 45,0 70 x 45,0</p>	<p>23558 23559</p>
	<p>Pegboard R60 internal corner</p>	<p>Z</p> <p>1/8 x 45,0</p>	<p>20036</p>
	<p>Pegboard R90 internal corner</p>	<p>Z</p> <p>1/8 x 22,5 1/8 x 45,0</p>	<p>23618 23621</p>